

# DONGBO

## Ear Clamps





# Introduction

---

Yueqing Dongbo Electromechanical Co.,Ltd was found in 2003,whose main products are single stepless ear clamps,1-ear clamp with mechanical interlock,stepless low profile clamps,2- ear clamps,spring band clamps and so on.The company is located in Yueqing City,Zhejiang Province.

Dongbo is committed to supply and manufacture products to the highest quality standards and to continuously monitor environmental practices towards pollution prevention so as to completely satisfy customer's needs,expectations and legal requirements.

The methods and practices employed in achieving our quality standards are compliant with the requirements of ISO9001:2008,ISO 14001:2004.Except these,we also have won ISO/TS16949:2009 and NSF.

Our regional and international presence and decades of know-how contributes to our customers' success and their overall satisfaction.We'll find the optimal solution to your requirement-be it and individual component or a completed multi-material system.



The term “Stepless” refers to the absence of steps or gaps on the inner circumference of the clamp. The stepless design provides uniform compression and a 360° seal.

Standard series Stepless Ear Clamps are especially well suited to applications involving both flexible and inflexible thin-walled hoses.

The higher retained loads of the Stepless Heavy Duty Series Clamps are ideal for difficult to seal applications such as moulded plastics or other less malleable materials, commonly used in the automotive industry.

PEX series Stepless Ear Clamps are only well suited to PEX tubing.

### Material

- 304 Stainless Steel
- Alternate materials optional

### Standard Series

Size Range	Width x Thickness
6.5 - 11.8mm	5.0 x 0.5mm
11.9-120.5mm	7.0 x 0.6mm
21.0-120.5mm	9.0 x 0.6 mm
21.0-120.5mm	9.0 x 0.8 mm
21.0-120.5mm	10 x 1.0mm

### Heavy Duty Series

Size Range	Width x Thickness
62.0 - 120.5 mm	10.0 x 1.0mm

### PEX Series(Standard ASTM F2098-2001)

Size Range	Width x Thickness
13.3mm	7.0 x 0.6mm
17.5mm	7.0 x 0.8mm
23.3mm	9.0 x 0.8mm
29.6mm	10.0 x 1.0mm

### Features

- 360° Stepless Design -no steps or gaps on inner circumference
- Narrow band, concentrated seal compression
- Specially formed strip edges reduce the risk of damage to the part being clamped
- Lightweight design
- Tampering is visible

### Installation Tools

Pincers for manual closure

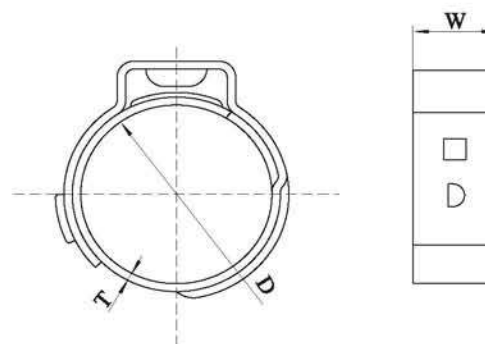


Dongbo recommends pneumatic pincers to ensure repeatable assembly and uniform closure, particularly for mass production applications.



### Application Area

Water Supply Plant, Sewage Treatment Plant, Municipal Engineering, Oils/ Chemicals, Electric Power, Textile Printing, Fine Chemicals, Beverage, Construction, Sea Water Desalinization, Hospital, Vessel, Automotive, Truck and so on.



## Features

- Narrow band: concentrates transmission of clamping force, less weight
- Stepless over 360°: uniform compression or uniform surface pressure
- Clamp ear: compensates for component tolerance, adjustable surface pressure
- Dimple: increases clamping force, spring-effect compensates for changes in diameter due to thermal expansion
- Specially formed strip edges: reduced risk of damage to parts being clamped

## Material

- 304 Stainless Steel

**Band Dimension(W x T):** 5 x 0.5mm 7x 0.6mm 7x 0.8mm 9x 0.6mm 9x 0.8mm 10x 1.0mm

**Corresponding Range(mm):** 6.5-11.8 11.9-120.5 17.5-120.5 23.3-120.5 23.3-120.5 23.3-120.5

Item	D		Range (Closed-Open)		Closing Force N	Carton Quantity pcs
	mm	inch	mm	inch		
6.5	6.5	.256	5.3-6.5	.209-.256	1000	20,000
7.0	7.0	.276	5.8-7.0	.228-.276	1000	20,000
7.5	7.5	.295	6.3-7.5	.248-.295	1000	20,000
8.0	8.0	.315	6.8-8.0	.268-.315	1000	20,000
8.7	8.7	.343	7.0-8.7	.276-.343	1000	20,000
9.0	9.0	.354	7.3-9.0	.287-.354	1000	20,000
9.5	9.5	.374	7.8-9.5	.307-.374	1000	20,000
10.0	10.0	.394	8.3-10.0	.327-.394	1000	10,000
10.5	10.5	.413	8.8-10.5	.346-.413	1000	10,000
10.9	10.9	.429	9.2-10.9	.362-.429	1000	10,000
11.3	11.3	.445	9.6-11.3	.378-.445	1000	10,000
11.8	11.8	.465	10.1-11.8	.398-.465	1000	10,000



## Stepless Ear Clamps



11.9	11.9	.469	9.4-11.9	.370-.469	2100	5000
12.3	12.3	.484	9.8-12.3	.386-.484	2100	5000
12.8	12.8	.504	10.3-12.8	.406-.504	2100	5000
13.3	13.3	.524	10.8-13.3	.425-.524	2100	5000
13.8	13.8	.543	11.3-13.8	.445-.543	2100	5000
14.0	14.0	.551	11.5-14.0	.453-.551	2100	5000
14.2	14.2	.559	11.7-14.2	.461-.559	2100	5000
14.5	14.5	.571	12.0-14.5	.472-.571	2100	5000
14.8	14.8	.583	12.3-14.8	.484-.583	2100	5000
15.3	15.3	.602	12.8-15.3	.504-.602	2100	5000
15.7	15.7	.618	13.2-15.7	.520-.618	2100	5000
16.0	16.0	.630	13.5-16.0	.531-.630	2100	5000
16.2	16.2	.638	13.7-16.2	.539-.638	2100	5000
16.6	16.6	.654	14.1-16.6	.555-.654	2100	5000
16.8	16.8	.661	14.3-16.8	.563-.661	2100	5000
17.0	17.0	.669	14.5-17.0	.571-.669	2100	5000
17.5	17.5	.689	15.0-17.5	.591-.689	2100	5000
17.8	17.8	.701	14.6-17.8	.575-.701	2100	5000
18.0	18.0	.709	14.8-18.0	.583-.709	2400	5000
18.5	18.5	.728	15.3-18.5	.602-.728	2400	5000
19.2	19.2	.756	16.0-19.2	.630-.756	2400	5000
19.8	19.8	.780	16.6-19.8	.654-.780	2400	5000
21.0	21.0	.827	17.8-21.0	.701-.827	2400	5000
22.6	22.6	.890	19.4-22.6	.764-.890	2400	5000
23.5	23.5	.925	20.3-23.5	.799-.925	2400	5000
24.1	24.1	.949	20.9-24.1	.823-.949	2400	5000
25.6	25.6	1.008	22.4-25.6	.882-1.008	2400	5000
27.1	27.1	1.067	23.9-27.1	.941-1.067	2400	5000
28.6	28.6	1.126	25.4-28.6	1.000-1.126	2400	5000
30.1	30.1	1.185	26.9-30.1	1.059-1.185	2400	5000
30.8	30.8	1.213	27.6-30.8	1.087-1.213	2400	2000
31.6	31.6	1.244	28.4-31.6	1.118-1.244	2400	2000
33.1	33.1	1.303	29.9-33.1	1.177-1.303	2400	2000





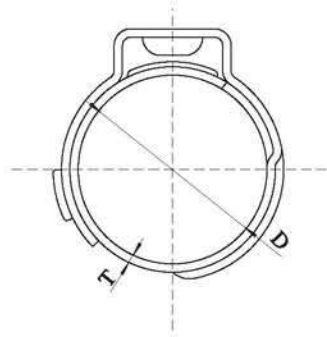
## Stepless Ear Clamps

34.6	34.6	1.362	31.4-34.6	1.236-1.362	2400	2000
36.1	36.1	1.421	32.9-36.1	1.295-1.421	2400	2000
37.6	37.6	1.480	34.4-37.6	1.354-1.480	2400	2000
38.1	38.1	1.500	34.9-38.1	1.374-1.500	2400	2000
39.6	39.6	1.559	36.4-39.6	1.433-1.559	2400	2000
41.0	41.0	1.614	37.8-41.0	1.488-1.614	2400	1000
42.5	42.5	1.673	39.3-42.5	1.547-1.673	2400	1000
44.0	44.0	1.732	40.8-44.0	1.606-1.732	2400	1000
45.5	45.5	1.791	42.3-45.5	1.665-1.791	2400	1000
47.0	47.0	1.850	43.8-47.0	1.724-1.850	2400	1000
48.5	48.5	1.909	45.3-48.5	1.783-1.909	2400	1000
50.0	50.0	1.969	46.8-50.0	1.843-1.969	2400	1000
51.5	51.5	2.028	48.3-51.5	1.902-2.028	2400	1000
53.0	53.0	2.087	49.8-53.0	1.961-2.087	2400	1000
54.5	54.5	2.146	51.3-54.5	2.020-2.146	2400	1000
56.0	56.0	2.205	52.8-56.0	2.079-2.205	2400	1000
57.5	57.5	2.264	54.3-57.5	2.138-2.264	2400	1000
59.0	59.0	2.323	55.8-59.0	2.197-2.323	2400	1000
60.5	60.5	2.382	57.3-60.5	2.260-2.382	2400	1000
81.5	81.5	3.209	78.3-81.5	3.083-3.209	7000	500
84.5	84.5	3.327	81.3-84.5	3.201-3.327	7000	500
87.5	87.5	3.445	84.3-87.5	3.319-3.445	7000	500
89.0	89.0	3.504	85.8-89.0	3.378-3.504	7000	500
92.0	92.0	3.622	88.8-92.0	3.496-3.622	7000	500
95.0	95.0	3.740	91.8-95.0	3.614-3.740	7000	500
96.5	96.5	3.799	93.3-96.5	3.673-3.799	7000	500
99.5	99.5	3.917	96.3-99.5	3.791-3.917	7000	500
101.0	101.0	3.976	97.8-101.0	3.850-3.976	7000	500
107.0	107.0	4.213	103.8-107	4.087-4.213	7000	500
114.5	114.5	4.508	111.3-114.5	4.382-4.508	7000	500





## PEX Series Stepless Ear Clamps



### Features

- Narrow band: concentrates transmission of clamping force, less weight
- Stepless over 360°: uniform compression or uniform surface pressure
- Clamp ear: compensates for component tolerance, adjustable surface pressure
- Dimple: increases clamping force, spring-effect compensates for changes in diameter due to thermal expansion
- Specially formed strip edges: reduced risk of damage to parts being clamped

### Material

- 304 Stainless Steel
- Standard ASTM F2098-2001

### Note

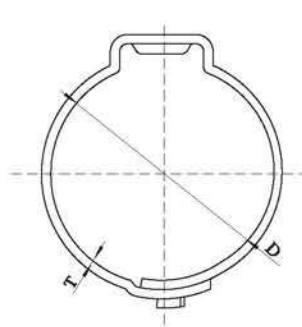
PEX series Stepless Ear Clamps are only well suited to PEX tubing.

Item	PEX Size	W		T		D		Range (Closed-Open)		Closing Force N	Carton Quantity pcs
		inch	mm	inch	mm	inch	mm	inch	mm		
P3/8	3/8	7.0	.276	0.6	.024	13.3	.524	10.8-13.3	.425-.524	2100	5000
P1/2	1/2	7.0	.276	0.8	.031	17.5	.689	15.0-17.5	.591-.689	2800	5000
P3/4	3/4	9.0	.354	0.8	.031	23.3	.917	20.1-23.3	.791-.917	4100	5000
P1.0	1.0	10.0	.394	1.0	.039	29.6	1.165	26.4-29.6	1.040-1.165	7000	5000





# 1-Ear Clamp With Mechanical Interlock



## Material

- 304 Stainless Steel

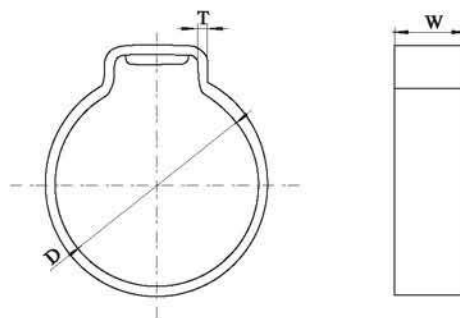
Band Dimension (W x T): 7 x 0.6mm

Customer-specific sizes available on request

Item	D		Range (Closed-Open)		Closing Force	Carton Quantity
	mm	inch	mm	inch	N	pcs
OEI706105	10.5	.413	8.9-10.5	.350-.413	1200	5000
OEI706113	11.3	.445	9.7-11.3	.382-.445	1200	5000
OEI706123	12.3	.484	10.4-12.3	.409-.484	1200	5000
OEI706133	13.3	.524	11.4-13.3	.449-.524	1200	5000
OEI706135	13.5	.531	11.5-13.5	.453-.531	1200	5000
OEI706138	13.8	.543	11.9-13.8	.469-.543	1200	5000
OEI706145	14.5	.571	12.6-14.5	.496-.571	1200	5000
OEI706157	15.7	.618	13.5-15.7	.531-.618	1200	5000
OEI706170	17.0	.669	15.1-17.0	.594-.669	1200	5000
OEI706198	19.8	.780	17.0-19.8	.669-.780	2000	5000
OEI706210	21.0	.827	18.2-21.0	.717-.827	2000	5000
OEI706226	22.6	.890	19.8-22.6	.780-.890	2000	5000
OEI706241	24.1	.949	21.3-24.1	.839-.949	2000	5000
OEI706256	25.6	1.008	22.8-25.6	.898-1.008	2000	5000
OEI706271	27.1	1.067	24.0-27.1	.945-1.067	2000	5000
OEI706286	28.6	1.126	25.5-28.6	1.004-1.126	2000	5000
OEI706301	30.1	1.185	27.0-30.1	1.063-1.185	2000	5000
OEI706316	31.6	1.244	28.5-31.6	1.122-1.244	2000	5000
OEI706331	33.1	1.303	30.0-33.1	1.181-1.303	2000	5000
OEI706346	34.6	1.362	31.5-34.6	1.240-1.362	2000	5000
OEI706361	36.1	1.421	33.0-36.1	1.299-1.421	2000	5000
OEI706376	37.6	1.480	34.5-37.6	1.358-1.480	2000	5000
OEI706381	38.1	1.500	35.0-38.1	1.378-1.500	2000	5000







## Features

- Narrow band:concentrates transmission of clamping force,less weight, fast and simple installation, visible deformation provides evidence of proper closure
- Deburred edges over 360°:reduced risk of damage to parts being clamped
- Pre-shaped insert:effective and powerful all-round seal

## Material

- 304 Stainless Steel

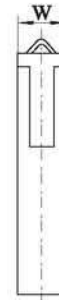
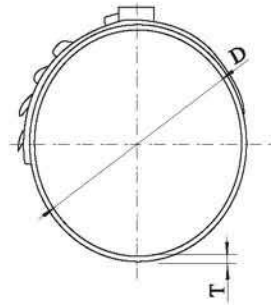
**Band Dimension (W x T): 7 x 0.8mm**

**Customer-specific sizes available on request**

Item	D		Range (Closed-Open)		Closing Force N	Carton Quantity pcs
	mm	inch	mm	inch		
OE7119	11.9	.469	9.4-11.9	.370-.469	2100	5000
OE7123	12.3	.484	9.8-12.3	.386-.484	2100	5000
OE7128	12.8	.504	10.3-12.8	.406-.504	2100	5000
OE7133	13.3	.524	10.8-13.3	.425-.524	2100	5000
OE7138	13.8	.543	11.3-13.8	.445-.543	2100	5000
OE7140	14.0	.551	11.5-14.0	.453-.551	2100	5000
OE7142	14.2	.559	11.7-14.2	.461-.559	2100	5000
OE7145	14.5	.571	12.0-14.5	.472-.571	2100	5000
OE7148	14.8	.583	12.3-14.8	.484-.583	2100	5000
OE7153	15.3	.602	12.8-15.3	.504-.602	2100	5000
OE7157	15.7	.618	13.2-15.7	.520-.618	2100	5000
OE7160	16.0	.630	13.5-16.0	.531-.630	2100	5000
OE7162	16.2	.638	13.7-16.2	.539-.638	2100	5000
OE7166	16.6	.654	14.1-16.6	.555-.654	2100	5000
OE7168	16.8	.661	14.3-16.8	.563-.661	2100	5000



## Stepless Low Profile Clamps



### Material

- 304 Stainless Steel

**Band Dimension (W x T): 7 x 0.8mm**

**Customer-specific sizes available on request**

Item	D		Range (Closed-Open)		Carton Quantity
	mm	inch	mm	inch	pcs
SL706119	11.9	.469	9.4-11.9	.370-.469	5000
SL706123	12.3	.484	9.8-12.3	.386-.484	5000
SL706128	12.8	.504	10.3-12.8	.406-.504	5000
SL706133	13.3	.524	10.8-13.3	.425-.524	5000
SL706138	13.8	.543	11.3-13.8	.445-.543	5000
SL706140	14.0	.551	11.5-14.0	.453-.551	5000
SL706142	14.2	.559	11.7-14.2	.461-.559	5000
SL706145	14.5	.571	12.0-14.5	.472-.571	5000
SL706148	14.8	.583	12.3-14.8	.484-.583	5000
SL706153	15.3	.602	12.8-15.3	.504-.602	5000
SL706157	15.7	.618	13.2-15.7	.520-.618	5000
SL706160	16.0	.630	13.5-16.0	.531-.630	5000
SL706162	16.2	.638	13.7-16.2	.539-.638	5000
SL706166	16.6	.654	14.1-16.6	.555-.654	5000





## Stepless Low Profile Clamps

SL706168	16.8	.661	14.3-16.8	.563-.661	5000
SL706170	17.0	.669	14.5-17.0	.571-.669	5000
SL706175	17.5	.689	15.0-17.5	.591-.689	5000
SL706178	17.8	.701	14.6-17.8	.575-.701	5000
SL706180	18.0	.709	14.8-18.0	.583-.709	5000
SL706185	18.5	.728	15.3-18.5	.602-.728	5000
SL706192	19.2	.756	16.0-19.2	.630-.756	5000
SL706198	19.8	.780	16.6-19.8	.654-.780	5000
SL706210	21.0	.827	17.8-21.0	.701-.827	5000
SL706226	22.6	.890	19.4-22.6	.764-.890	5000
SL706235	23.5	.925	20.3-23.5	.799-.925	5000
SL706241	24.1	.949	20.9-24.1	.823-.949	5000
SL706256	25.6	1.008	22.4-25.6	.882-1.008	5000
SL706271	27.1	1.067	23.9-27.1	.941-1.067	5000
SL706286	28.6	1.126	25.4-28.6	1.000-1.126	5000
SL706301	30.1	1.185	26.9-30.1	1.059-1.185	5000
SL706308	30.8	1.213	27.6-30.8	1.087-1.213	2000
SL706316	31.6	1.244	28.4-31.6	1.118-1.244	2000
SL706331	33.1	1.303	29.9-33.1	1.177-1.303	2000
SL706346	34.6	1.362	31.4-34.6	1.236-1.362	2000
SL706361	36.1	1.421	32.9-36.1	1.295-1.421	2000
SL706376	37.6	1.480	34.4-37.6	1.354-1.480	2000
SL706381	38.1	1.500	34.9-38.1	1.374-1.500	2000
SL706396	39.6	1.559	36.4-39.6	1.433-1.559	2000
SL706410	41.0	1.614	37.8-41.0	1.488-1.614	1000
SL706425	42.5	1.673	39.3-42.5	1.547-1.673	1000
SL706440	44.0	1.732	40.8-44.0	1.606-1.732	1000
SL706455	45.5	1.791	42.3-45.5	1.665-1.791	1000
SL706470	47.0	1.850	43.8-47.0	1.724-1.850	1000
SL706485	48.5	1.909	45.3-48.5	1.783-1.909	1000
SL706500	50.0	1.969	46.8-50.0	1.843-1.969	1000
SL706515	51.5	2.028	48.3-51.5	1.902-2.028	1000
SL706530	53.0	2.087	49.8-53.0	1.961-2.087	1000
SL706545	54.5	2.146	51.3-54.5	2.020-2.146	1000
SL706560	56.0	2.205	52.8-56.0	2.079-2.205	1000
SL706575	57.5	2.264	54.3-57.5	2.138-2.264	1000
SL706590	59.0	2.323	55.8-59.0	2.197-2.323	1000
SL706605	60.5	2.382	57.3-60.5	2.260-2.382	1000
SL706920	92.0	3.622	88.8-92.0	3.496-3.622	500



Item	Nominal diameter (mm)	Closed diameter (max mm)	Full opened diameter (min mm)	Minimal functional diameter (mm)	Material thickness (± 0.4mm)	Closing force (min N)
SBC3021-13	13	12.0	14.2	12.7	0.80	100
SBC3021-14	14	13.3	15.8	13.7	0.80	100
SBC3021-15	15	13.9	16.5	14.7	0.80	130
SBC3021-16	16	14.9	17.5	15.7	0.80	160
SBC3021-17	17	15.6	18.5	16.3	0.80	160
SBC3021-18	18	16.0	19.0	17.3	0.80	200
SBC3021-19	19	17.8	20.2	18.3	1.30	300
SBC3021-20	20	18.4	21.6	19.3	1.30	200
SBC3021-21	21	19.4	22.5	20.3	1.30	200
SBC3021-22	22	20.5	24.2	21.3	1.30	200
SBC3021-23	23	21.0	24.7	22.3	1.30	320
SBC3021-24	24	22.0	26.0	23.3	1.30	230
SBC3021-25	25	23.5	26.8	24.0	1.30	260
SBC3021-26	26	24.3	28.0	25.0	1.70	270
SBC3021-27	27	25.2	29.2	26.0	1.70	280
SBC3021-28	28	26.1	30.2	27.0	1.70	300
SBC3021-29	29	27.0	31.5	28.0	1.70	300
SBC3021-30	30	28.0	32.5	29.0	1.70	300
SBC3021-32	32	29.3	34.5	31.0	1.70	300
SBC3021-34	34	30.6	36.4	33.0	1.70	300
SBC3021-35	35	31.5	38.0	34.0	1.70	300
SBC3021-36	36	32.5	39.0	35.0	1.70	300
SBC3021-38	38	34.5	41.5	37.0	1.70	300
SBC3021-40	40	35.5	42.5	39.0	1.70	300
SBC3021-41	41	36.3	43.5	39.5	2.10	370
SBC3021-42	42	37.2	44.5	40.5	2.10	340
SBC3021-43	43	37.9	45.5	41.5	2.10	340
SBC3021-44	44	38.5	46.5	42.5	2.10	340
SBC3021-46	46	40.5	48.5	44.5	2.10	350
SBC3021-47	47	41.4	50.0	45.5	2.10	380
SBC3021-49	49	42.5	52.0	47.5	2.10	410
SBC3021-50	50	43.5	53.0	48.5	2.10	410
SBC3021-51	51	44.0	54.0	49.5	2.10	410
SBC3021-53	53	46.0	55.8	51.5	2.10	410
SBC3021-55	55	46.8	58.0	53.5	2.10	430
SBC3021-60	60	51.5	64.0	58.5	2.60	450
SBC3021-65	65	57.5	70.0	63.5	2.60	370
SBC3021-70	70	61.5	73.0	68.5	2.60	370
SBC3021-75	75	65.0	78.0	73.5	2.60	330
SBC3021-80	80	70.0	84.0	78.5	2.60	300

**YUEQING DONGBO ELECTROMECHANICAL CO.,LTD**

Add: Xizhu Industrial Zone ,Shifan, Yueqing City ,Zhejiang Province, China

Tel: 0086-577-62311838

Fax: 0086-577-62317238

Web: [www.china-db.com](http://www.china-db.com)

E-mail: [xiaoshou03@china-db.com](mailto:xiaoshou03@china-db.com)